

# MARKETS

GOVERNANCE DESIGN TEAM

February 14, 2022



*Working together to responsibly and economically  
keep the lights on today and in the future.*



SouthwestPowerPool



SPPorg



southwest-power-pool



Southwest Power Pool  
**WESTERN  
ENERGY  
SERVICES**

# WELCOME AND OVERVIEW

KARA FORNSTROM, SPP

# AGENDA

<b>Welcome and Overview</b>	Kara Fornstrom
<b>Review of January 31 GDT Meeting</b> <ul style="list-style-type: none"><li>Operational Relationships</li></ul>	Kara Fornstrom
<b>Topic Scope for GDT</b>	David Rubin
<b>Proposed Governance Objectives</b>	Sarah Edmonds Lea Fisher
<b>Participant Feedback</b>	
<b>Next Steps</b>	Kara Fornstrom
<b>Open Discussion/Questions</b>	Stakeholder Leads
<b>Future Meetings</b>	Kara Fornstrom

# GOVERNANCE DESIGN TEAM

KARA FORNSTROM, SPP

## STAKEHOLDER LEADS

Sarah Edmonds	Director, Transmission Services	Portland General Electric
Aly Koslow	Director, Federal Regulatory Affairs and Compliance	Arizona Public Service
David Rubin	Federal Energy Policy Director	NV Energy
Joe Fina	Assistant General Counsel	Snohomish County Public Utility District No. 1
Lea Fisher	Senior Policy Analyst	Public Generating Pool

## SPP Support Team

Kara Fornstrom	Director, State Regulatory Policy
Mike Riley	Associate General Counsel
Nicole Wagner	Manager, Regulatory Policy
Patti Kelly	Lead Regulatory Analyst

# GOVERNANCE DESIGN TEAM

- Meeting Cadence:
  - Beginning Jan. 31, every other Monday
  - Starting at 10 a.m. Pacific, 11 a.m. Mountain, Noon Central
- Initial Topics
  - Operational Relationships
    - What are we governing?
    - How does Markets+ fit in with other Western services?
  - Foundational Components
    - SPP board of directors
    - Committee Structure

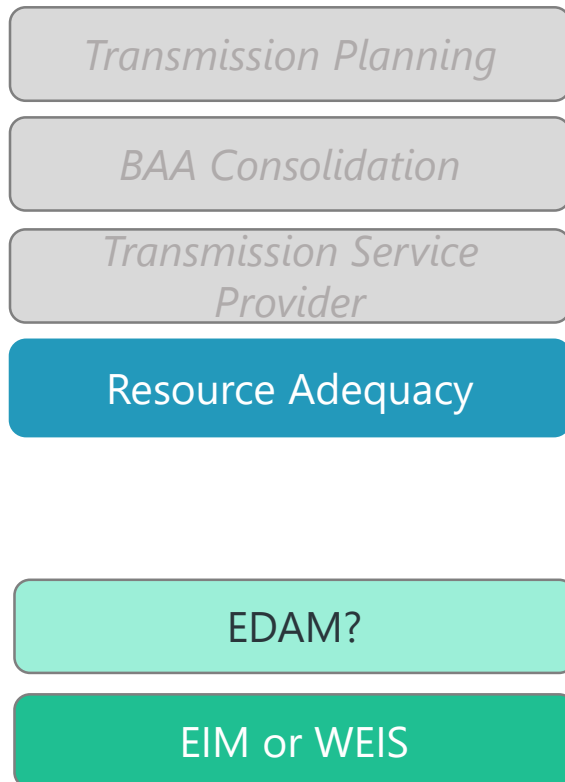
# REVIEW OF JAN. 31 GDT MEETING:

## OPERATIONAL RELATIONSHIPS

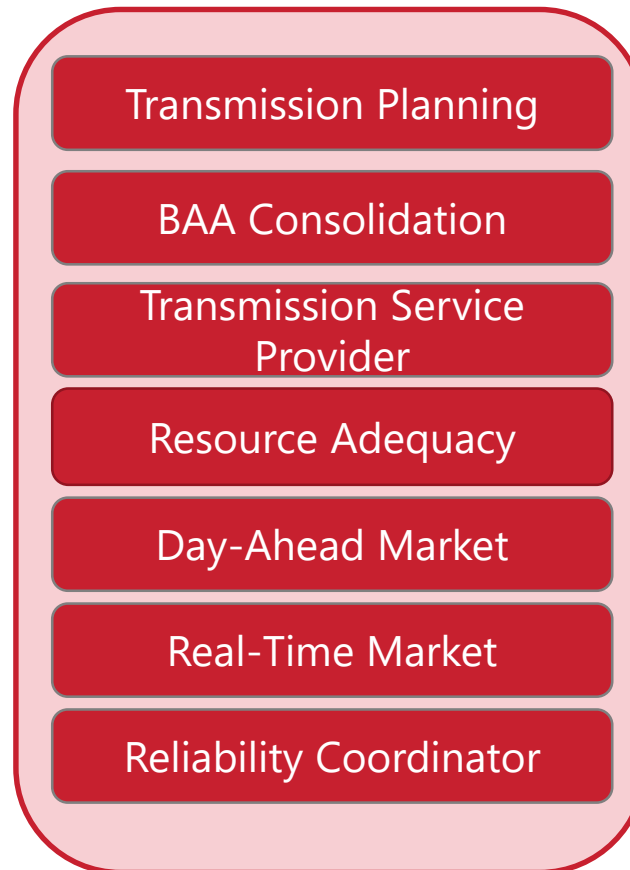
KARA FORNSTROM, SPP

# OPTIONS FOR EVOLVING WESTERN MARKETS

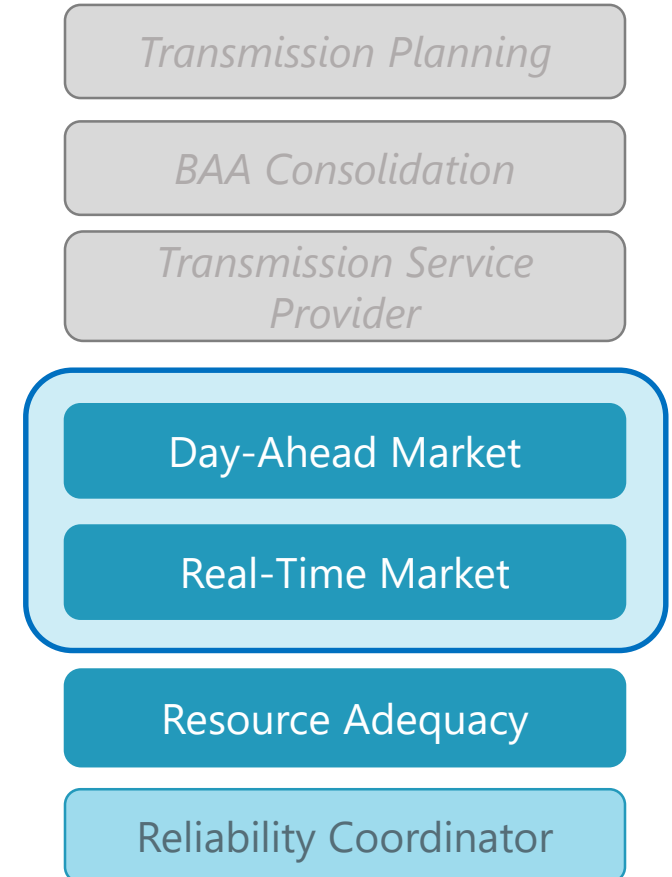
## Current path?



## RTO?

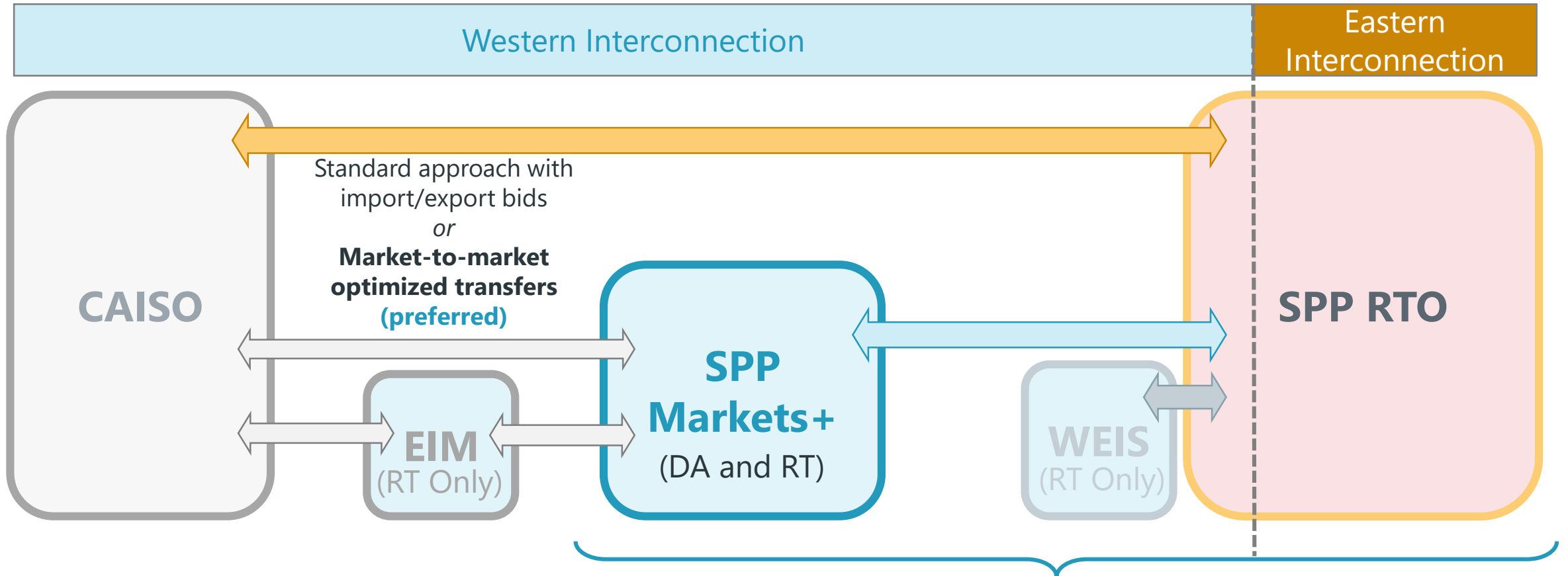


## A new option: SPP MARKETS+





# WESTERN MARKETS ROADMAP



**Ideally a single co-optimized unit commitment and dispatch under a robust governance framework with an independent board**

# TOPIC SCOPE

DAVID RUBIN, NV ENERGY

# GDT TOPIC SCOPE

- Our Issues

- Board of Directors
- Committee Framework  
(Participants, Nominating,  
Technical, Regulators and  
Stakeholders)
- Voting Structures
- Jurisdiction
- Exit Provisions

- Not Our Issues

- Market Monitor
- Green House Gas Tracking
- (Both Issues are separate  
design elements that will be  
addressed by other teams)

# PROPOSED GOVERNANCE OBJECTIVES

SARAH EDMONDS, PORTLAND  
LEA FISHER, PGP

# GOVERNANCE OBJECTIVES

- Independent Board of Directors with Skills and Experience Reflective of All Regions, Market Participants and Interests within Its Oversight
- Open, Transparent Stakeholder Process that Balances Diverse Interests
- Board Nominating Process that is Clearly Defined and Geographically/Sector Representative
- Effective Forums for Stakeholders within the Governance Framework

# PARTICIPANT FEEDBACK

STAKEHOLDER LEADS

# NEXT STEPS

KARA FORNSTROM, SPP

# Step 1

Seek interested parties  
Information gathering



# Step 2

Distribute gathered feedback  
Develop timeline and next steps  
Develop detailed service offering



# Step 3

Conduct inclusive stakeholder process with committed parties



# Step 4

Obtain Board approval  
Seek FERC approval

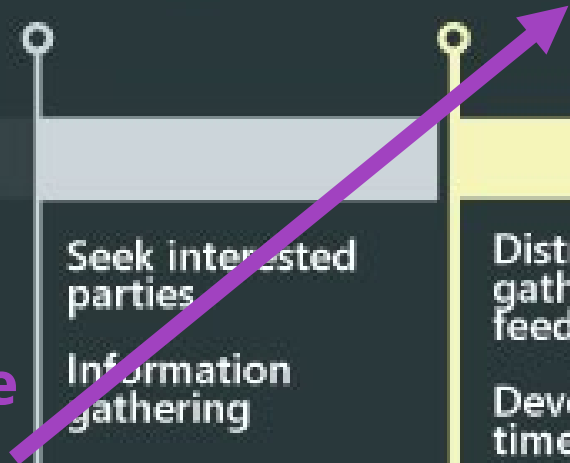


# Step 5

## Launch



We are here





# QUESTIONS & DISCUSSION

STAKEHOLDER LEADS

# FUTURE MEETINGS

- February 16 – Transmission Availability Design Team
- February 22 – Market Products/Price Formation Design Team
- February 28 – Governance Design Team
  - Every other Monday at 10 a.m. P; 11 a.m. M; Noon C
- March 2 – Development Update
- March 29-30 – In-Person

Questions or comments?

Contact us at:

[marketsplus@spp.org](mailto:marketsplus@spp.org)

[kfornstrom@spp.org](mailto:kfornstrom@spp.org)



Southwest Power Pool  
**WESTERN  
ENERGY  
SERVICES**