

A solid blue vertical bar runs along the left side of the page, extending from the top header area down to the bottom image area.

# Member Impacting Project Overview

## ICCP Upgrade Phase II

Version 1.1

---

**Table of Contents**

Version Control .....3

Executive Summary.....4

Business Impact .....4

    Users Impacted .....4

    Business Functions Impacted.....4

Technical Impact .....5

    SPP Systems/Processes Impacted .....5

    Anticipated Member Systems/Processes Impacted .....6

    Impacted Entities.....6

Member Requirements .....7

Testing.....7

Training.....7

Implementation/Back-out Plan .....7

Summary of Timeline.....7

Project Assumptions.....8

Risks .....8

Additional Documentation .....8

Communication Plan .....8

    MIPO and Project Documentation .....8

Next Steps .....8

FAQs .....8

More Information.....9

---

**Version Control**

| Version | Date      | Author          | Change Description                      |
|---------|-----------|-----------------|---|
| 1.0     | 2/12/2024 | Kendra Campbell | Initial Version                         |
| 1.1     | 4/5/2024  | Kendra Campbell | Change to East Backup Outbound timeline |
|         |           |                 |   |
|         |           |                 |   |
|         |           |                 |   |

## Executive Summary

This project will address ICCP application load and scalability needs by implementing a Backup ICCP Outbound system and connecting, modeling and migrating West members to new West ICCP architecture that was installed as part of the ICCP Upgrade Phase I project.

## Business Impact

In this document, the term “members” refers to any and all stakeholders which could include Market Participants, SPP Members, other customers, Transmission Owners, vendors, etc.

Members identified as having work related to this project will receive requests to submit updated AIEF forms, conduct network changes, modify ICCP modeling, and perform testing. Individual meetings will be set up to discuss tasks for each identified member.

| Affected? | Services Impacted by Changes                     |
|-----------|--|
| X         | Eastern Interconnection (Integrated Marketplace) |
| X         | Western Reliability Coordination                 |
|           | Western Energy Imbalance Services Market         |

## Users Impacted

This project will implement an East Backup Outbound system that will connect specific East customers to read data from SPP. Additionally, the West ICCP systems will be configured for West customers. This will require some entities to migrate to the new system and/or connect to both SPP’s East and West ICCP systems. If a member needs data from both interconnects they will need to read data from the East and West systems instead of the single system they read from today.

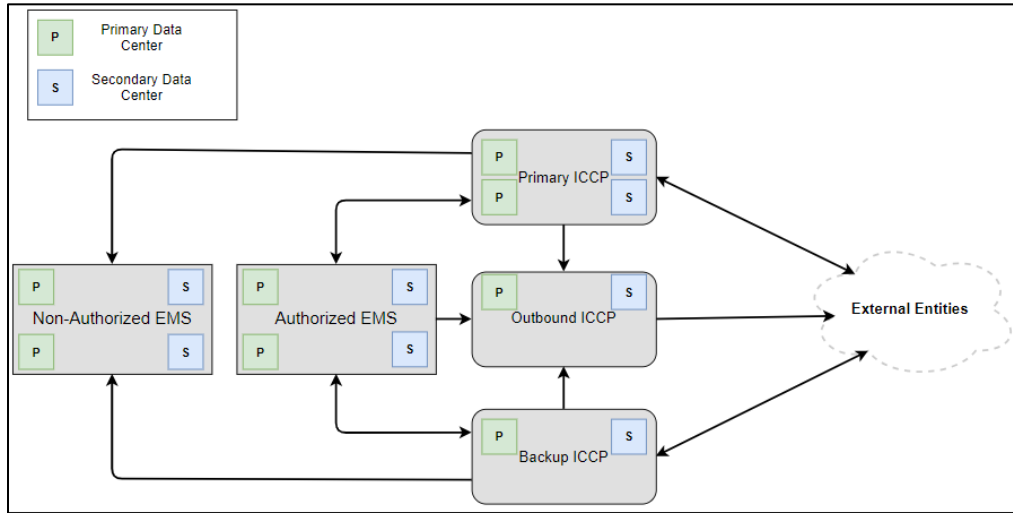
## Business Functions Impacted

There are no anticipated business function changes.

## Technical Impact

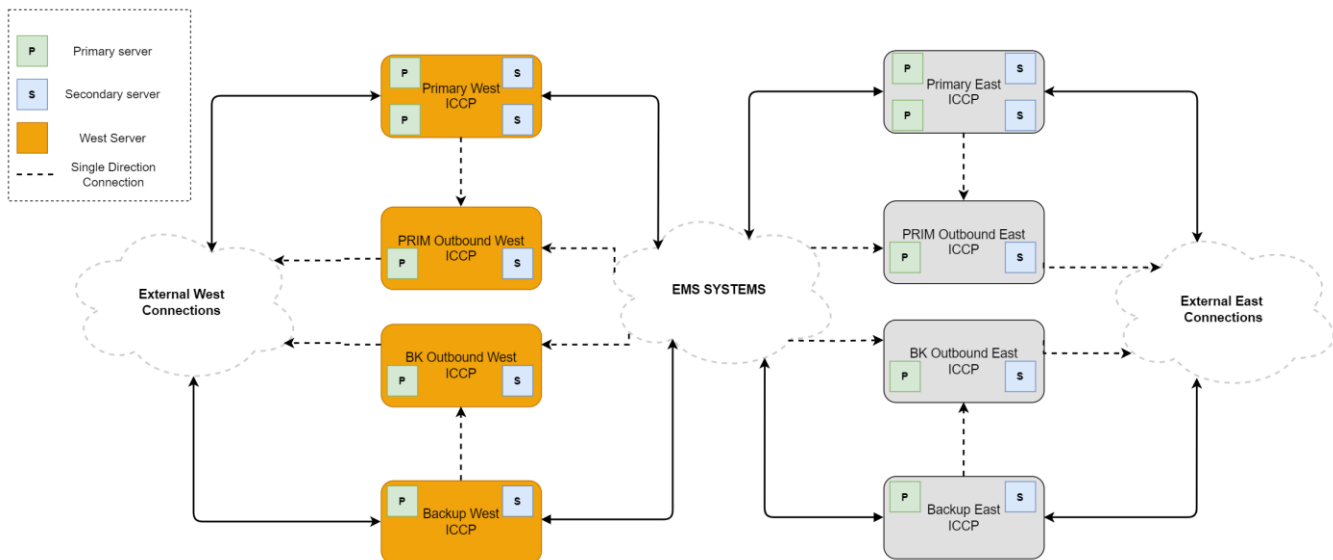
### Current ICCP Configuration

The current system configuration is shown below.



### New ICCP Configuration for Impacted Members

The new system configuration, highlighting the additional new systems is shown below.



### SPP Systems/Processes Impacted

There is no anticipated change to system processes. When a member needs access to a data point or has changes to their ICCP model they can request it in the same manner as today.

**Anticipated Member Systems/Processes Impacted**

There is no planned change for the East Primary or Backup ICCP systems. Remotes connected to these ICCP systems that transfer smaller amounts of data and do not send or receive West data as defined by SPP’s ICCP modelers should anticipate no changes. Remotes that meet this criteria, will be reconfigured to connect to the west system and potentially read backup data from the new Backup Outbound system based on the defined size limit.

**Impacted Entities**

The following members, as designated by their Remote connection, are impacted by this project. If you believe you are impacted but not listed below please contact SPP staff.

- WEST – Will have to connect to a new set of ICCP systems with new IPs and AP Titles 4 total.
- EAST – Will need to create a new remote to connect to a new ICCP cluster dedicated for members to read our backup data 4 total.
- Both – These entities will need to be connected to both markets ICCP systems which will mean 5 new remote connections making 8 total.

| Entity   | Market |
|----------|--------|
| AEPC     | WEST   |
| AESO     | WEST   |
| AEPT_OUT | EAST   |
| BCH      | WEST   |
| BEPC     | BOTH   |
| BHP      | BOTH   |
| BPA      | WEST   |
| CAISO    | WEST   |
| CSU      | WEST   |
| OPPD     | EAST   |
| EVERGY   | EAST   |
| SPS      | EAST   |
| OKGE     | EAST   |
| TSGT     | BOTH   |
| WAPA_UGP | BOTH   |
| WAPA_RMR | BOTH   |
| EPE      | WEST   |
| FEUS     | WEST   |
| GRID     | WEST   |
| PRPA     | WEST   |
| PRPA_W   | WEST   |
| PSCO     | WEST   |
| TEPC     | WEST   |

## Member Requirements

Members will need to complete the following items for this project effort.

- New remotes with new IPs and APs titles.
- New firewall rules will be needed for the new IPs.
- Move data between the remote connections.
- Members who connect to East and West will need to adjust modeling to reflect the new architecture.

## Testing

Testing Assumptions:

- All MPs should have already conducted connectivity testing to the appropriate Integrated Test Environment. This project timeline will not include connectivity testing.
- Member staff who are participating in the testing are trained on the systems they are testing.
- Project liaisons will be responsible for coordinating testing at their company and for reporting back to SPP on testing progress or issues.

Testing calls will be scheduled with each entity separately.

## Training

There is no training anticipated for this project.

## Implementation/Back-out Plan

If issues are encountered during switch overs, remotes will be moved back to the current system.

## Summary of Timeline

| Date                    | Responsible Party | Action  |
|-------------------------|-------------------|---|
| February 2024           | SPP               | Publish initial MIPO  |
| June 2024               | SPP               | Outreach to the East Entities who will read from the Backup Outbound System |
| 09/09/2024 – 11/29/2024 | SPP / Member      | East Backup Outbound Migration Cutover                                      |
| January 2025            | SPP               | Outreach to West Entities   |
| 03/03/2025 – 07/29/2025 | SPP / Member      | West Entities Migration Cutover   |

## Project Assumptions

None identified at this time.

## Risks

Below we provide a list of identified risk for this project:

- This project effort needs to be completed in preparation for RTO West expansion.

## Additional Documentation

Any additional documentation will be listed here and stored in the ICCP Upgrade Phase II project folder on spp.org. Notifications of documentation postings will be sent to the Change User Forum distribution list.

## Communication Plan

Communication regarding this project will be done through updates to the Member Impacting Project Overview or via the Change User Forum exploder list.

## MIPO and Project Documentation

All project communication and information will be posted to the SPP Change User Forum Project Documentation folder. Click [here](#) to reach the ICCP Upgrade Phase II folder on spp.org.

This MIPO will be updated upon change or with any new information. With any updates, a redline version will be posted to the project documentation folder, and the Change User Forum will be notified.

## Next Steps

| Action   | Assignee | Status & Due Date   |
|--|----------|---|
| Members identified should review the MIPO and any internal processes that may require updates. | Member   | As soon as possible   |
| ICCP participants respond to their appointment from projects SMEs.                             | Member   | Each participant will receive a kickoff meeting appointment |

## FAQs

Frequently asked questions will be added to the document as identified or necessary.

| Question | Origination | Answer |
|----------|-------------|--------|
|          |             |        |
|          |             |        |



## More Information

At any time, members can ask questions by completing an RMS ticket using "Project Inquiries" Quick Pick and this project's subject option. RMS link: <https://spprms.issuetrak.com/login.asp>

If a new user ID is needed for RMS, click on that link and follow the directions for "Register Now."

## Submit Request

---

Request Template:  ▼

\* Class:  ▼

Request Status:  ▼  ▼

\* Request Type:  ▼

\* Subtype 1:  ▼

\* Subtype 2:  ▼